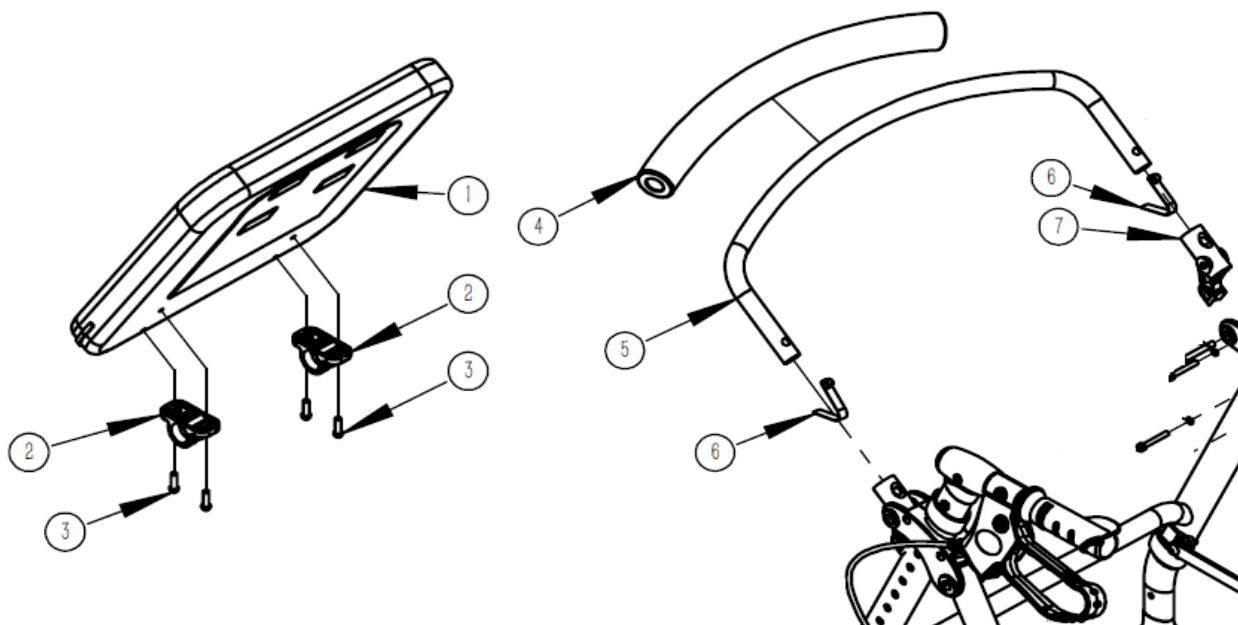


## CE-D09 Spare parts list + CE-D10 Exploded view



Identification number: TCF-VOMNL - 0350-14E  
 Product group: Walking aid  
 Productname: Excel Litewalk II  
 Batchnumber: 4200

### Seat & Backrest



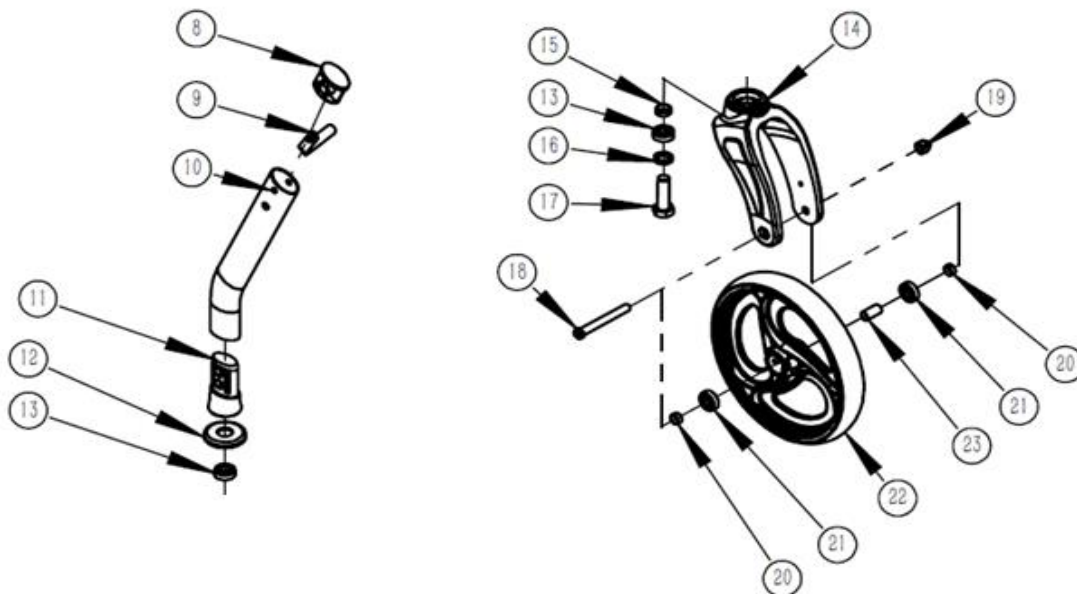
Drawing No.	Item No.	Description	Purchase Price	
1	CS009	Seat	€	18,40
2 + 3	PH165EC	Seat Clip (set of 2)	€	2,80
4 to 6	A2E001DC	Backrest complete	€	12,00
7	PK033AC	Backrest turning part	€	3,60

## CE-D09 Spare parts list + CE-D10 Exploded view



Identification number: TCF-VOMNL - 0350-14E  
 Product group: Walking aid  
 Productname: Excel Litewalk II  
 Batchnumber: 4200

### Front wheel assembly



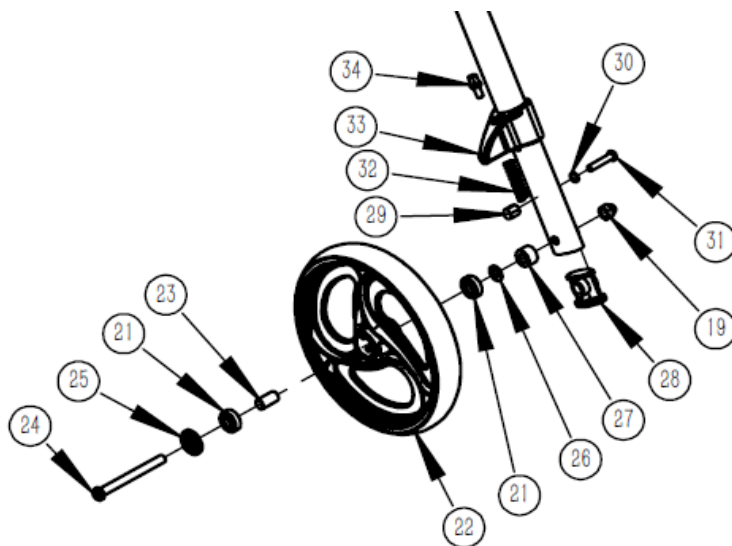
Drawing No.	Item No.	Description	Purchase Price
8 to 11	AP025AP042	Front wheel bending tube Left/Right	€ 59,20
12 to 19	PH021AC	8"front wheel fork	€ 10,00
18 to 19	MB087BA	Axle bolt	€ 2,00
20; 21 & 23	MH037BA	Bearing for front wheel	€ 2,00
22	L027VC	8"PVC Wheel	€ 16,00

## CE-D09 Spare parts list + CE-D10 Exploded view



Identification number: TCF-VOMNL - 0350-14E  
 Product group: Walking aid  
 Productname: Excel Litewalk II  
 Batchnumber: 4200

### Rear wheel assembly



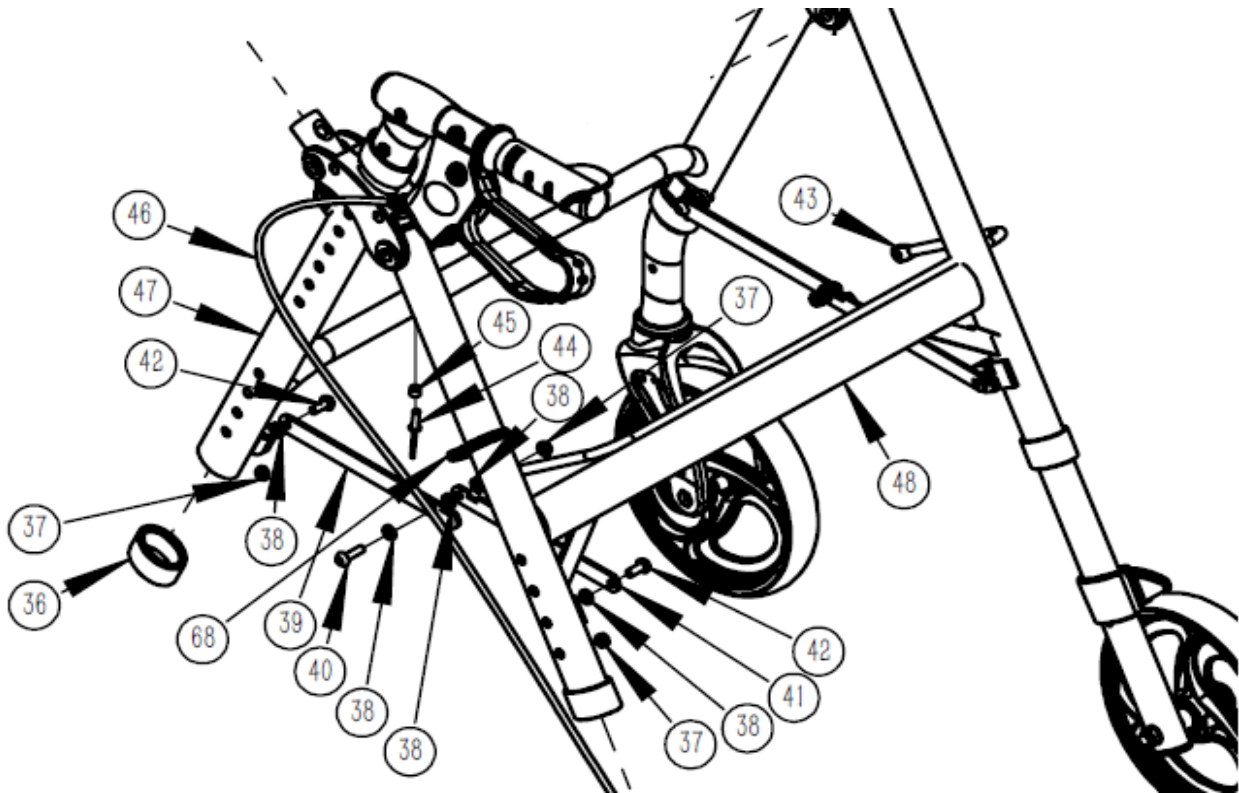
Drawing No.	Item No.	Description	Purchase Price
21;23; 25 to 27	MH022	Bearing for rear wheel	€ 2,00
22	L027VC	8"PVC wheel	€ 16,00
19 + 24	MB087BA	Axle bolt	€ 2,00
28 to 32	-	Not available as spare part	-
33	PH048AC	Plastic brake cap	€ 2,80
34	-	Not available as spare part	-

## CE-D09 Spare parts list + CE-D10 Exploded view



Identification number: TCF-VOMNL - 0350-14E  
 Product group: Walking aid  
 Productname: Excel Litewalk II  
 Batchnumber: 4200

### Frame assembly



### Frame assembly

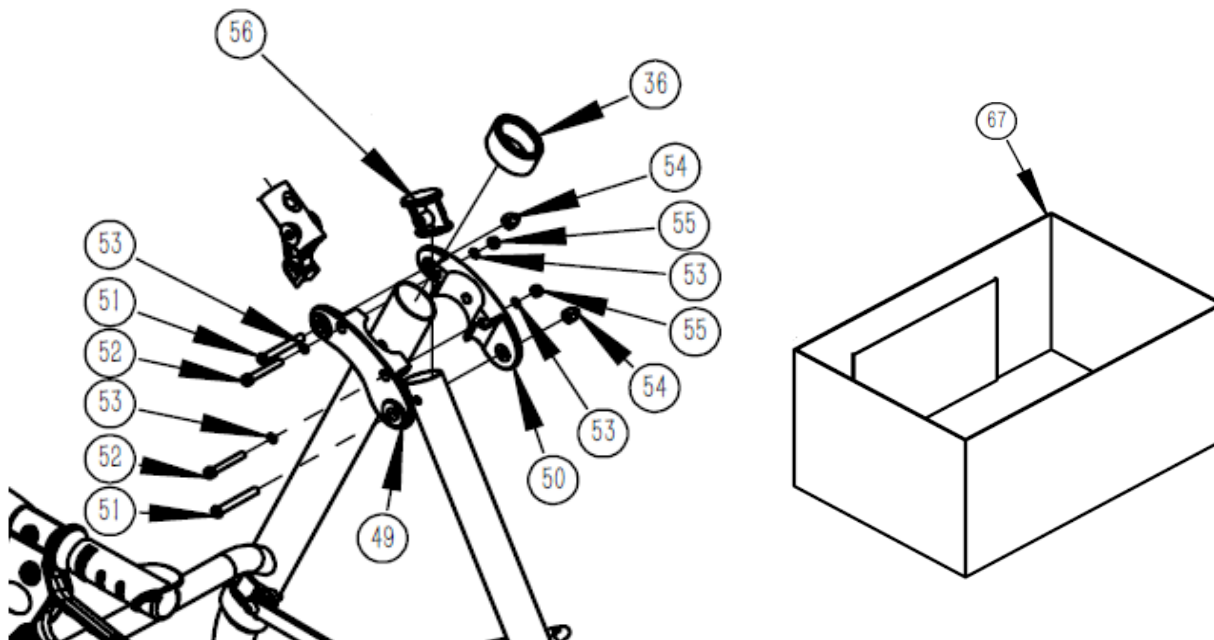
Drawing No.	Item No.	Description	Purchase Price
36	PK022EC	Oval hollow tube (set of 2)	€ 2,00
38 to 43	ME108231	Folding mechanism	€ 10,00
44 to 45	-	Not available as spare part	-
46	E033VC	Brake cable	€ 4,00
47 to 48	-	Not available as spare part	-
68	PH227EC	Oval brake caple cilp (set of 2)	€ 2,00

## CE-D09 Spare parts list + CE-D10 Exploded view



Identification number: TCF-VOMNL - 0350-14E  
 Product group: Walking aid  
 Productname: Excel Litewalk II  
 Batchnumber: 4200

### Frame assembly (1)



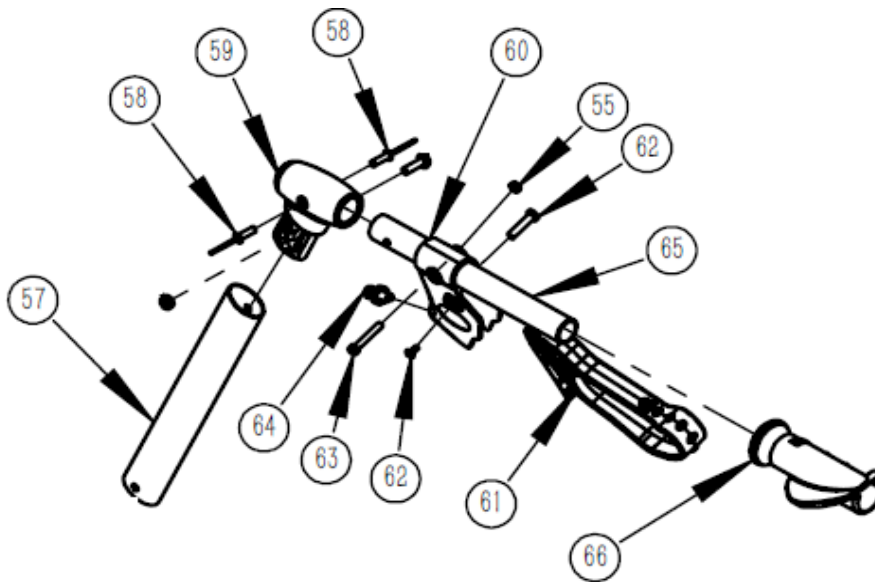
Drawing No.	Item No.	Description	Purchase Price
36	PK022EC	Oval hollow tube (set of 2)	€ 2,00
49 to 55	AP024BA	Bracket fixing base	€ 10,00
67	CE007	Bag	€ 16,00

## CE-D09 Spare parts list + CE-D10 Exploded view



Identification number: TCF-VOMNL - 0350-14E  
 Product group: Walking aid  
 Productname: Excel Litewalk II  
 Batchnumber: 4200

### Push handle



Drawing No.	Item No.	Description	Purchase Price
57 to 66	A5C003	Push handle and brake handle Left	€ 41,20
	A5C004	Push handle and brake handle Right	€ 41,20